

ANlxx

Installation Manual



www.audac.eu

Introduction

WaveDynamics™ Dante audio network interface

The ANIxx are Dante audio network interfaces for use with WaveDynamics™ supporting amplifiers, supporting two (ANI22) or four (ANI44) networked audio channels. The installation of this optional interfaces allows these amplifiers to be integrated into any DANTE enabled AV network and flawlessly transfer digital audio with any compatible product on the market, ranging from music sources to microphone systems, mixers, and many more.

These interfaces come delivered as a complete installation kit, including all required accessories for installation into the WaveDynamics™ amplifier chassis.

INSTALLATION PRECAUTIONS



The installation of the ANI module may only be performed by qualified technicians.

Incorrect installation can lead to permanent damage or incorrect functioning of the equipment.

Packaging contents

- 1x ANIxx main interface board
- 1x ANIxx ethernet connection board
- 1x ANIxx ethernet connection cable
- Required installation accessories:
 - 2x Nylon snap-in spacer
 - 1x M3 spacer
 - 1x Spring washer
 - 1x M3 nut
 - 2x Cable tie
- USB memory drive (containing software and instructions)

Instructions

Mounting and connecting

Step 1:

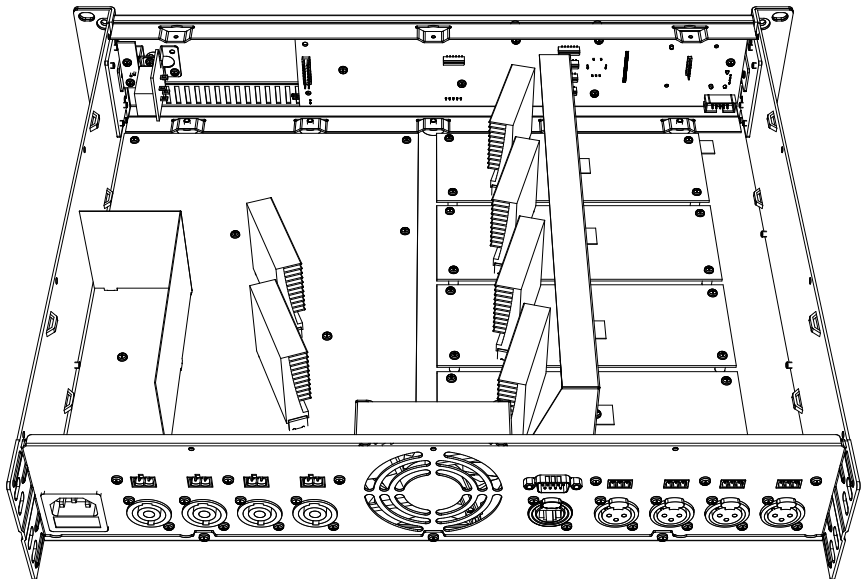
ATTENTION



Make sure the amplifier is powered off and the power inlet is disconnected from the mains power before the enclosure is opened.

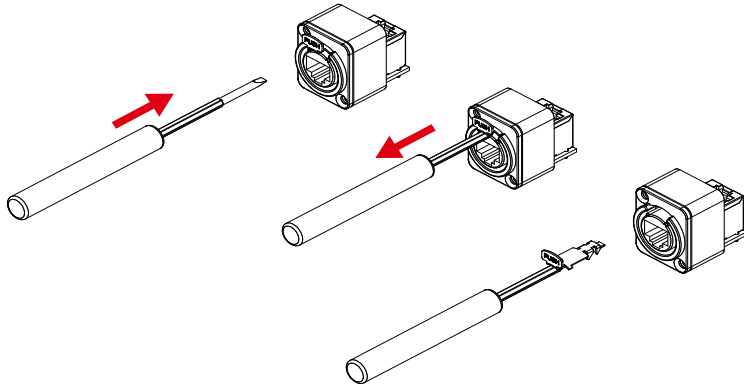
Step 2:

Open the amplifiers' enclosure by carefully removing the screws from the top panel of the device, and lifting it.

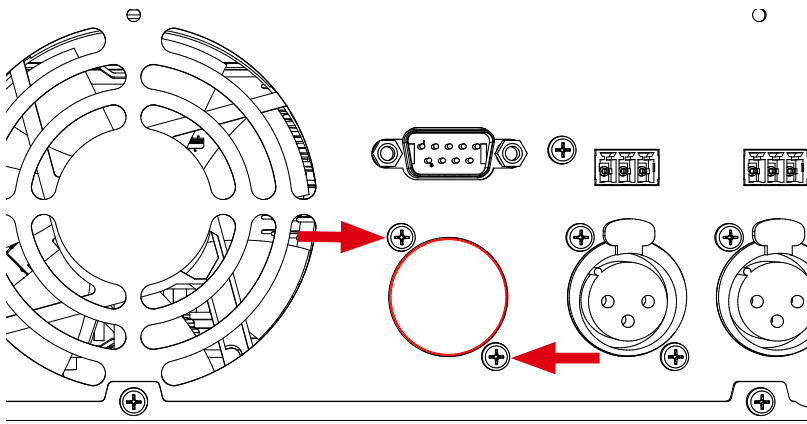


Step 3:

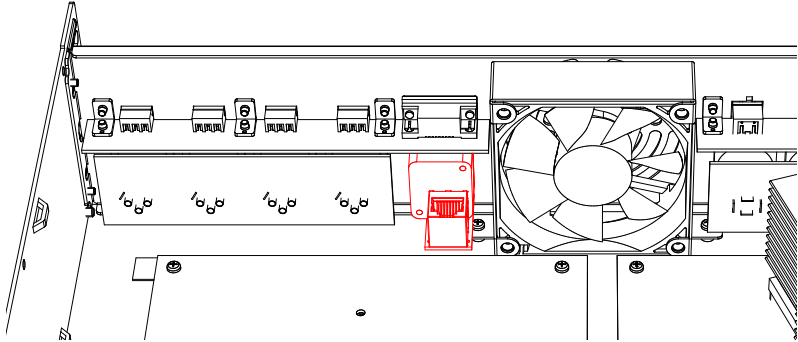
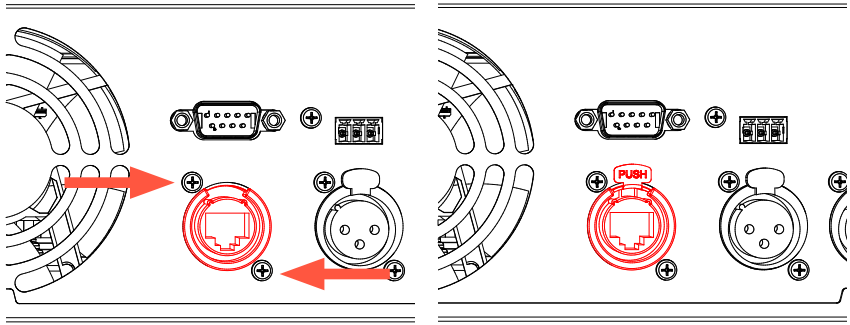
3.1. Remove the latch from the Ethercon compatible connector on the connection board by putting a flat screwdriver underneath the clip and pulling back screwdriver and latch together. This will simplify the assembly of the ethernet connection board in the back of the unit.



3.2. Remove the cover plate at the 'EXPANSION' hole on the back of the amplifier. The ethernet connection board of the ANIxx shall be installed on this position.



3.3. Insert the ethernet connection board from the inner side of the amplifier to the 'EXPANSION' hole, and fix it by inserting and tightening the two supplied screws. The latch removed from the connector in step 3.1 can now get inserted to the connector again by simply inserting and pushing it into the right position.

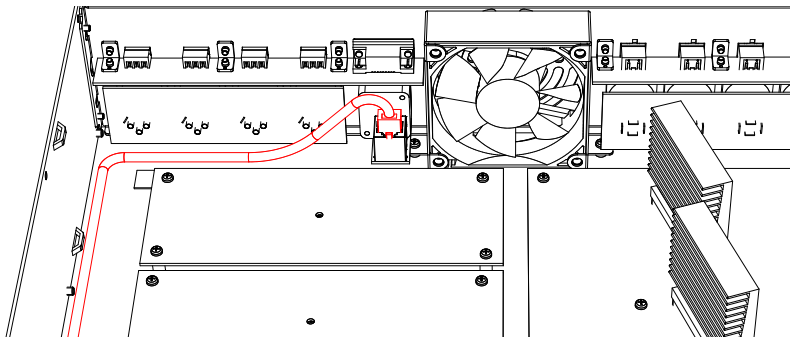


REMARK

Detaching the upper input board (containing terminal block and RS-232 sockets) may facilitate the installation. Make sure it is well fastened again afterwards.

Step 4:

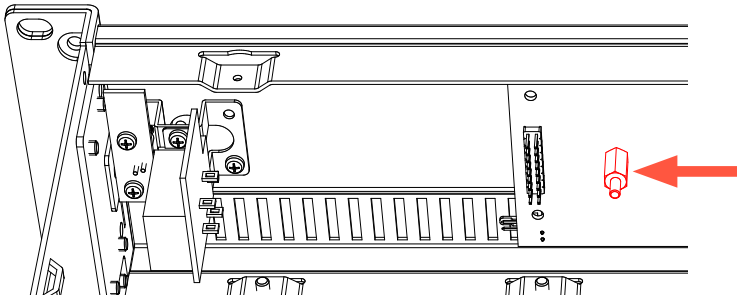
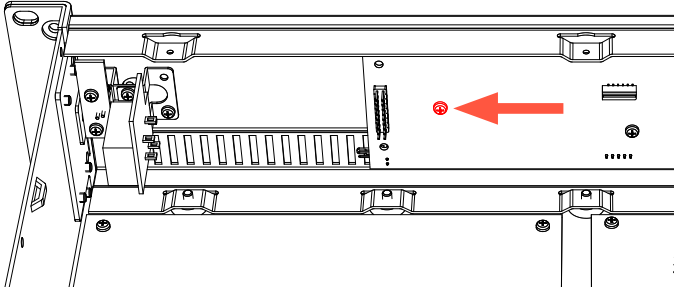
Once the Ethernet connection PCB is correctly installed, the supplied ethernet connection cable shall be plugged to the RJ45 connection socket in the inner side of the ethernet connection board.



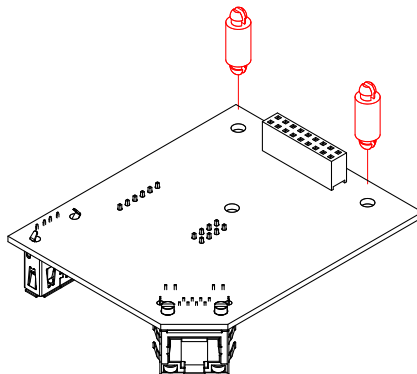
Step 5:

Mount the ANlxx main interface board into the amplifier:

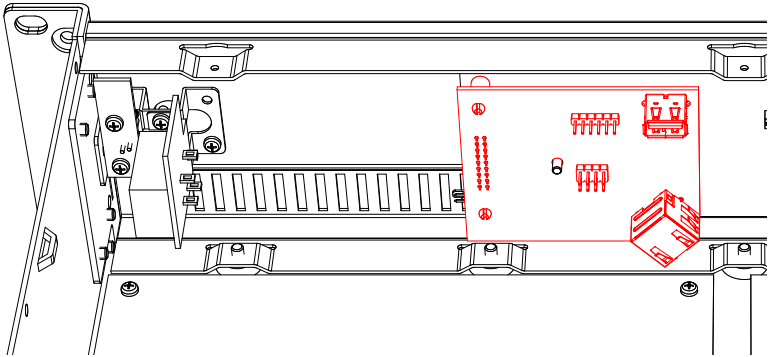
5.1. Remove the screw on the most left side of the front display board of the amplifier and replace it by the supplied M3 spacer.



5.2. Insert both supplied nylon snap-in spaces into the appropriate holes in the ANlxx main interface board as indicated in the below image.

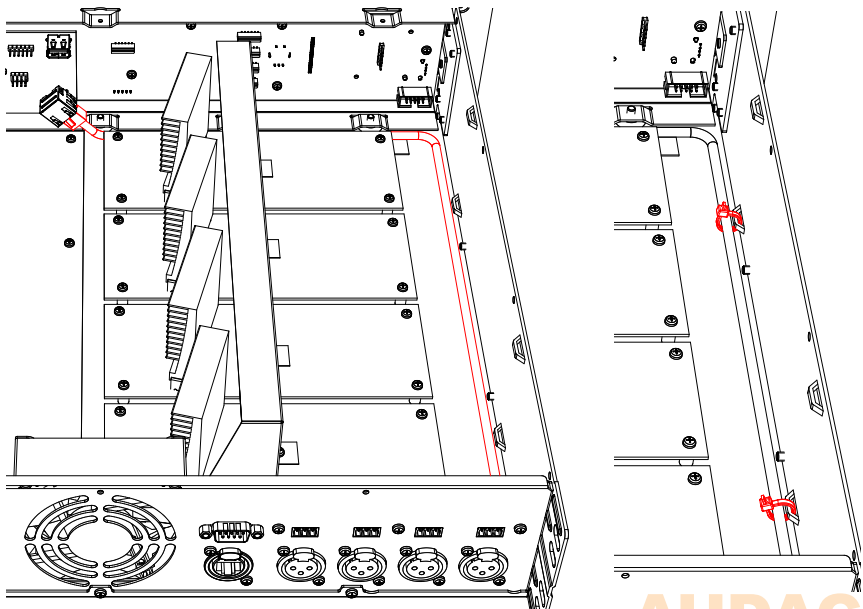


5.3. Fix the ANIxx main interface board into the amplifier by simply clicking it onto the front display board using both snap-in spacers. Make sure the female pin-header on the main interface board is well positioned and matching the male counterpart on the front display board of the amplifier. Once positioned correctly, securing can be done by putting the supplied washer and nut and tightening it.



Step 6:

Connect the cable from the ethernet connection board to the RJ45 jack on the main interface board and position the cable as indicated in the below image. Correct positioning of the cable is important to avoid touching heating amplifier parts and to avoid obstruction of the internal air-flow of the device. The networking cable shall be fixed to the internal provided tabs using the supplied cable tie's.



Step 7:

Double check whether all internal wires are well connected and well positioned. After all connections are successfully made, the top cover of the amplifier can be re-fitted and fixed using the original screws.

Step 8:

To guarantee the correct functioning of the amplifier with the installed ANIxx Dante network audio interface, verify whether the current running software version fully supports this interface's functions.

For SMA/SMQ amplifiers, software shall be version 1.17 or higher

The software version of your amplifier is shown on the front LCD display when powering on the amplifier. When it is not Dante ready, you can update your amplifier with the supplied USB drive. Connect it at the front of your amplifier and the update process will start automatically.

Result:

Your amplifier is now equipped with a Dante network audio interface, allowing new networked audio possibilities.

For more information about the functions, the connections or Dante in general, refer to the quick start guide or Dante controller user guide.

Additional information

Technical specifications

Number of inputs	ANI22	2
	ANI44	4
Number of outputs	ANI22	2
	ANI44	4
Communication Protocol		Audinate DANTE
Sampling frequency		48 kHz
Sampling bit depth		24-bit
Latency		2 ~ 5 ms
Connection		Ethercon compatible RJ45 connector
Network specification		Standard 100 Mbit or 1 Gbit network
Mounting		Integration in amplifier chassis
Power consumption		1.5 Watt
Weight		0.090 Kg
Compatible devices (implementation)	ANI22	SMA Series WaveDynamics™ amplifiers
	ANI44	SMQ Series WaveDynamics™ amplifiers
Protocol (DANTE) compatible devices		https://www.audinate.com/products/dante-enabled

