

MBK101

User & Installation Manual



www.audac.eu

Introduction

Wall mounting bracket for Bass Cabinet

The MBK101 is a mounting bracket that can be used to mount different kinds of bass cabinets with a limited size and weight. The simple, nevertheless very efficient principle provides an easy and quick installation.

It is based on two wall brackets with N-shaped notch which have to be installed against the wall on the desired location. Two cylindrical metal bushings have to be fixed to the provided points on the bass cabinet, using the included screws. Subsequently, the cylindrical metal bushings have to be hooked into the N-shaped notch of the wall brackets.

This principle provides a great flexibility for installing different kinds of bass cabinets or other devices, while the distance to the wall is limited to only 14 mm.

Precautions

The weight of the bass cabinet (or other equipment) cannot exceed the permitted maximum load of the mounting bracket, which is 35 kg. If the weight of the bass cabinet exceeds the permitted maximum load, it can fall down, resulting in a physical injury or damage to the equipment.

This mounting bracket can only be installed by qualified installers and the installation method described in the installation manual must be followed in all cases.

The wall on which it will be mounted, has to be solid enough to hold the weight of the bass cabinet including mounting bracket. Depending on the wall structure (Wooden, Brick, Concrete or other material) the appropriate fasteners have to be used.

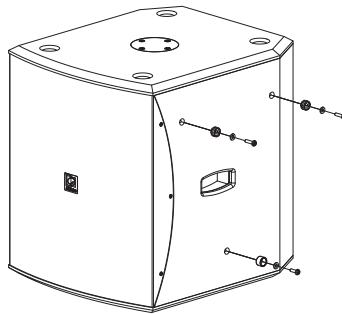
ATTENTION

The MBK101 wall mounting bracket is specifically designed for mounting bass cabinets to a wall, optimizing the available floor space, keeping it free and accessible. However, it is NOT designed for installations high-up, and doesn't allow the installations of bass cabinets above people or at large heights. Always follow the local regulations about fixation and mounting, and check whether any additional safety measures are required for your specific installation.

Installation

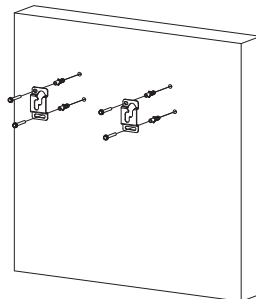
Step 1

Mount the cylindrical metal bushings to your bass cabinet using the included M6x25 bolts and washers, make sure the flat side of the cylindrical bushings rests against the bass cabinet while a washer sits flat inside the recessed side. Both cylindrical bushings must be mounted on the same horizontal height, and the mutual distance should be as large as possible. The plastic stopper (which has the same thickness as the mounting brackets) has to be mounted at a lower height on the surface of the bass cabinet. This stopper is meant to support the lower side of the bass cabinet, resulting in a leveled bass cabinet. The plastic stopper should be fixed by means of the included M6x20 screw and washer with equal distance to both cylindrical metal bushings.



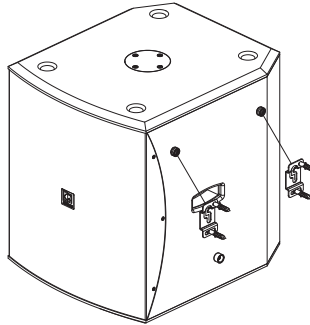
Step 2

The mounting brackets have to be mounted on the walls with the same mutual distance as provided between the cylindrical bushings. Measure this distance and mark it on the desired location on the wall. Attach the brackets on the marked location on the wall and fix them with the appropriate fasteners. Depending on the wall structure (Wooden, Brick, Concrete or other material) the appropriate fasteners have to be used. Always use a washer between the fixing screw and the mounting bracket.



Step 3

Once the mounting brackets are fixed to the desired location on the wall and the cylindrical bushings with plastic stopper are fixed to the cabinet, the cylindrical bushings simply need to be hooked into the N-shaped notch of the mounting bracket and then the cabinet is properly mounted and ready for use.



Additional information

Package content

The MBK101 package contains following parts:

- 2 pcs mounting bracket with N-shaped notch
- 2 pcs cylindrical metal bushing
- 1 pcs plastic stopper
- 7 pcs M6 washer
- 4 pcs wall screw with wall plug
- 2 pcs M6x25 bolt
- 1 pcs M6x20 bolt

Specifications

- Max load 35 Kg
- Distance to wall 14 mm