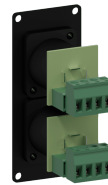


Highlights:

- Solid cold rolled steel construction
- Structured and scratch resistant black powder coating
- Assembly screws included
- Compatible with any CASY chassis
- SpeakON connectors by Neutrik
- Solderless connections
- Flexible system for system integration & connectivity

Product information:

The CASY142 is a CASY module with two male NL4MP SpeakON connectors on the front side and two 4-pin terminal block connectors on the back side. This flexible structure for system integration & connectivity can easily be implemented in a wide variety of CASY chassis.

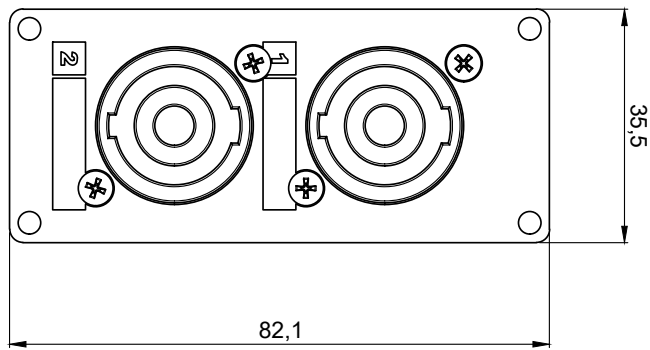



Product Features:

Dimensions	1.40 x 3.23 " (W x H)		
Weight	0.17 lb		
Connection	2 x SpeakON (NL4MP) to 4-pin terminal block		
Module	Space	1	

Variants:

- CASY142/B - Black version



	
CASY142	Product description: CASY 1 SPACE WITH 2 X SPEAKON TO 4-PIN TB
Weight: 75 g	Outer dimensions: (w x h x d) 35,5 x 82,1 x 53,4
	Unit height: 2 HE