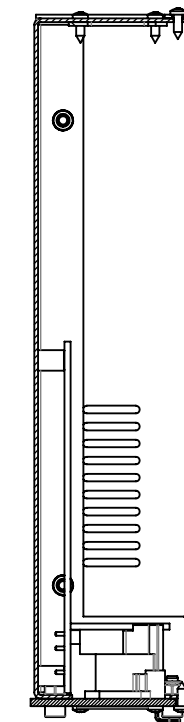
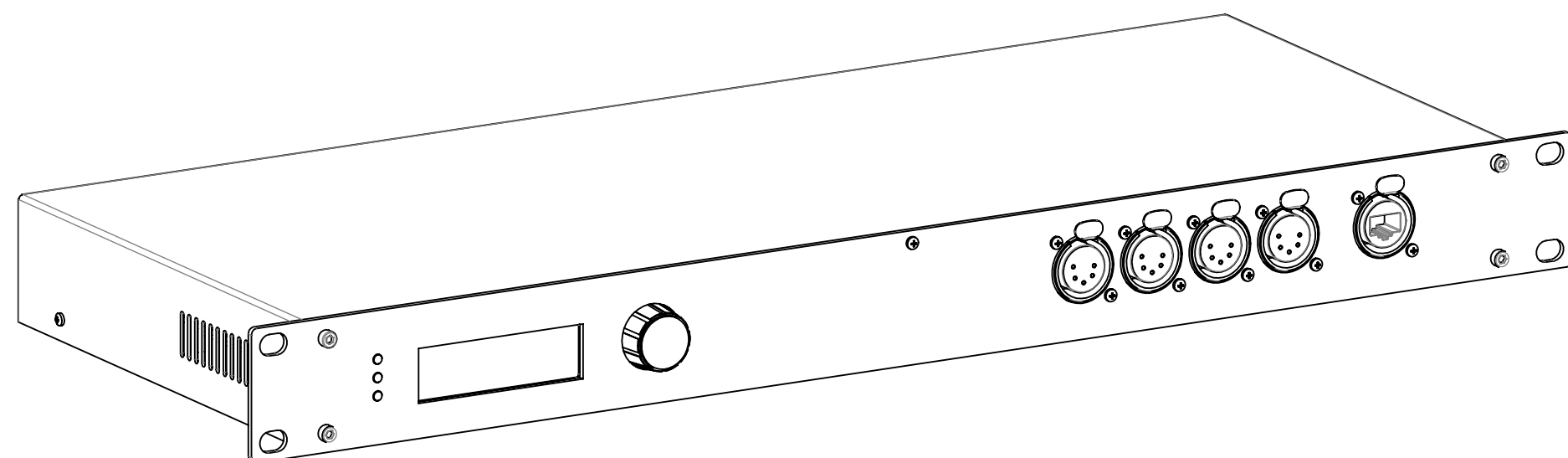
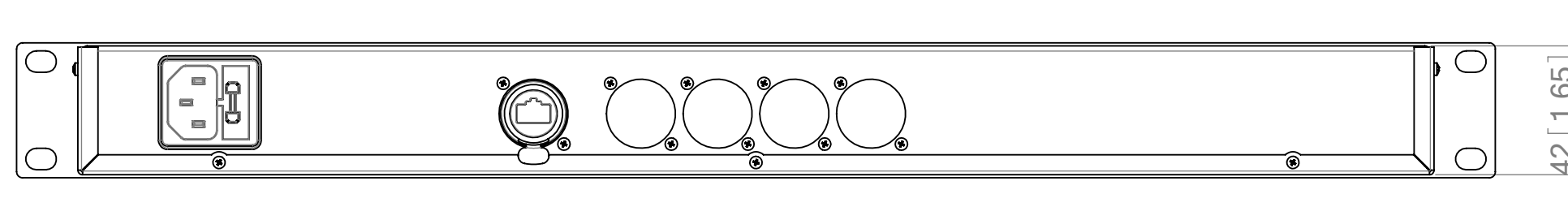


SECTION B-B



SECTION A-A



UNLESS OTHERWISE SPECIFIED: DIMENSIONS ARE IN MILLIMETERS SURFACE FINISH: TOLERANCES: LINEAR: ANGULAR:		FINISH:	DEBUR AND BREAK SHARP EDGES	Luminex Luminex Lighting Control Equipment ©	
MATERIAL:		TITLE: Ethernet-DMX4 MkII			
DRAWN: Renckens Jan		NAME:	SIGNATURE:	DATE:	REVISION: 01
2009/05/24		DWG NO. lu_01_00030		REV. DATE: 2009/05/24	A2
WEIGHT:		SCALE: 1:2		SHEET 1 OF 4	

